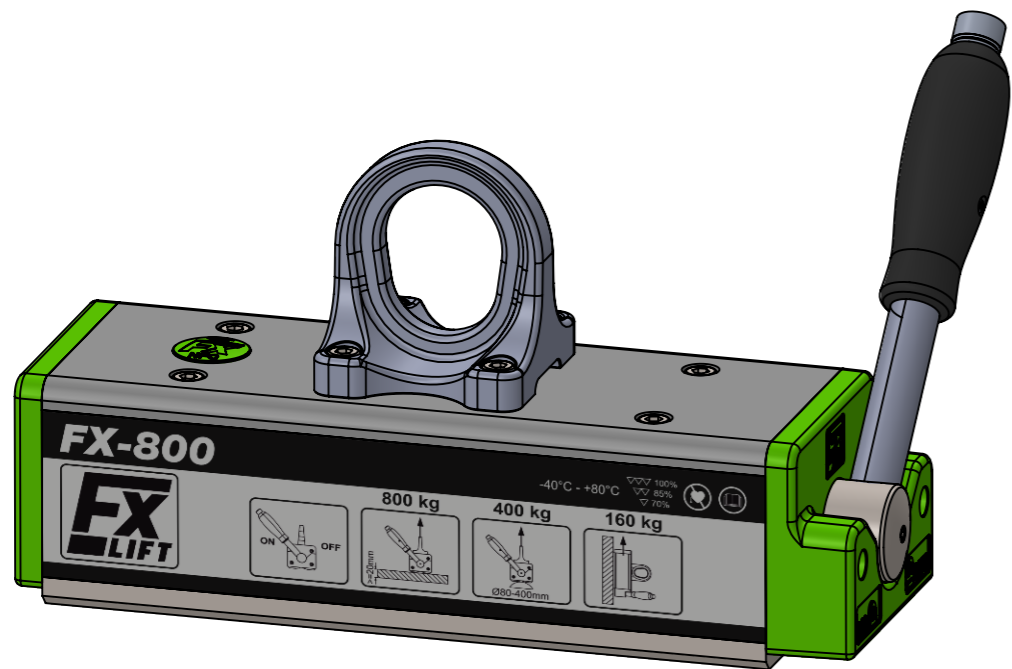
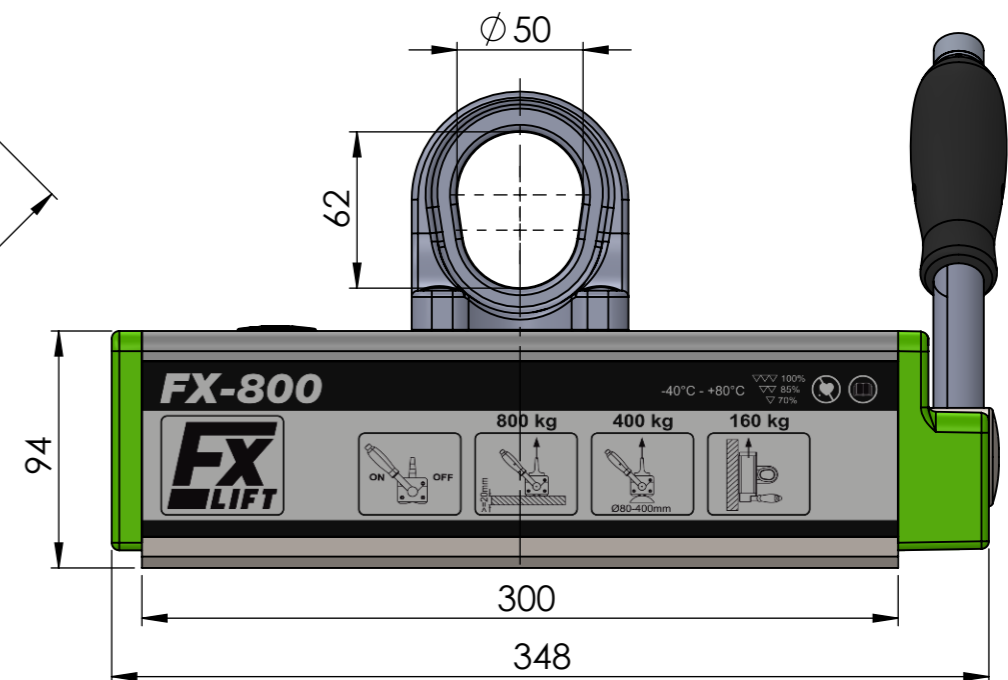
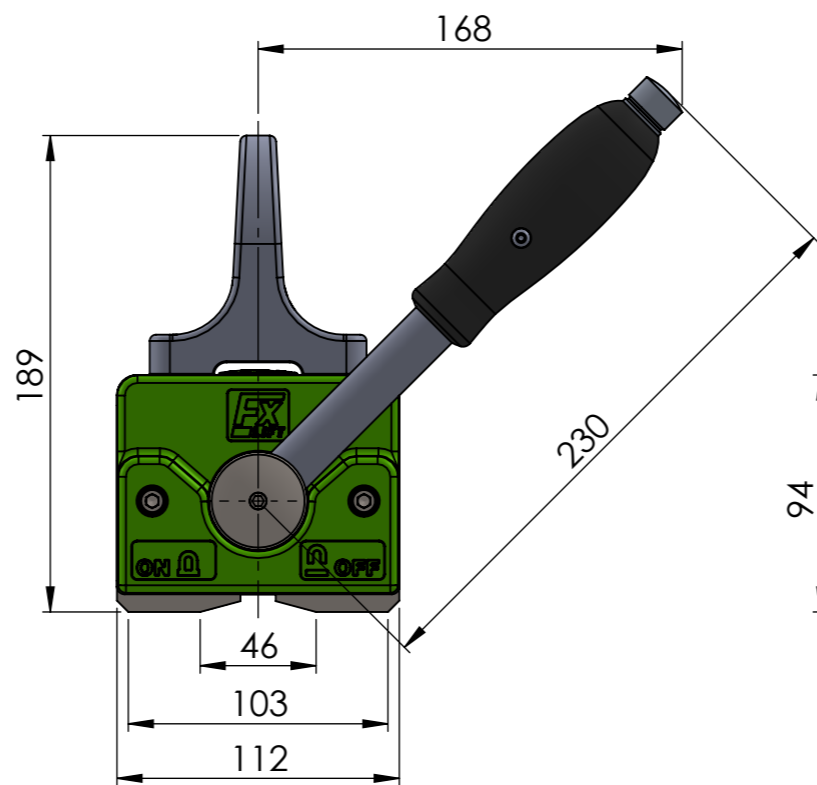
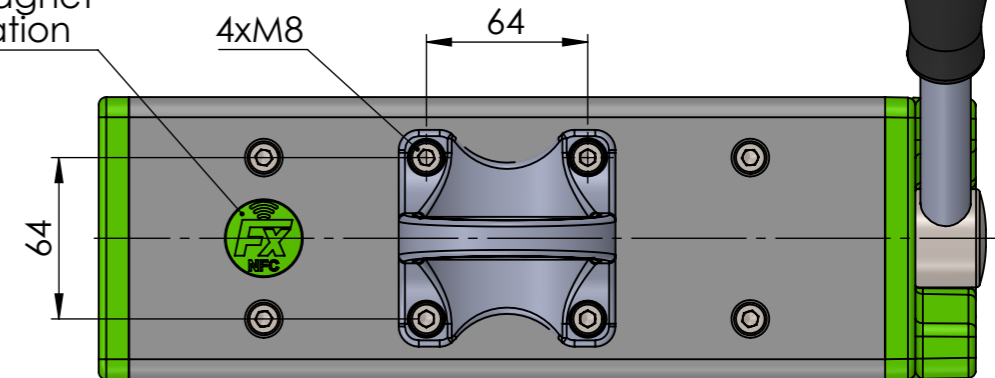


Working load according to EN 13155/WLL	
Load capacity on flat material:	800kg
Load capacity Ø80-400:	400kg
Max. load capacity > 20mm material thickness	



**Green-Dot**  
NFC-Tag with magnet  
related information



FX800	Air gap <0,2mm			Air gap 0,2- 0,3mm			Air gap 0,3- 0,6mm		
	Max. Load (kg)	Max. L (mm)	Max. B(mm)	Max. Load (kg)	Max. L (mm)	Max. B(mm)	Max. Load (kg)	Max. L (mm)	Max. B(mm)
>=6	200	1800	1500	160	1800	1500	140	1500	1500
>=10	400	2250	2000	320	2250	2000	280	2000	1500
>=15	650	2500	2000	520	2500	2000	450	2000	1500
>=20	800	3000	2000	720	3000	2000	550	2500	1500
Ø80-400	400	5000	-	320	4500	-	250	3500	-

Schutzvermerk nach DIN ISO 16016 beachten!  
Nachdruck nur mit unserer Genehmigung!  
All rights reserved according to DIN ISO 16016!  
Reprint with our permission only!

3,2	-0,05	tolerance	material:	weight: 23.60
-0,2		ISO 7168 M	drawing no.:	0019533
date	name		description:	FX-800
drawn 09.11.2022	TW		part no.:	11010800
edit 31.01.2024			sheet	1 / 1
appr. 31.01.2024	TW		A3	

04	Green Dot	18.01.2024	TW
03	Bemaßung	06.04.2023	TW
02	Gewicht	31.01.2023	TW
rev.	change	date	name



scale: 1:3	Status: Freigegeben
------------	---------------------